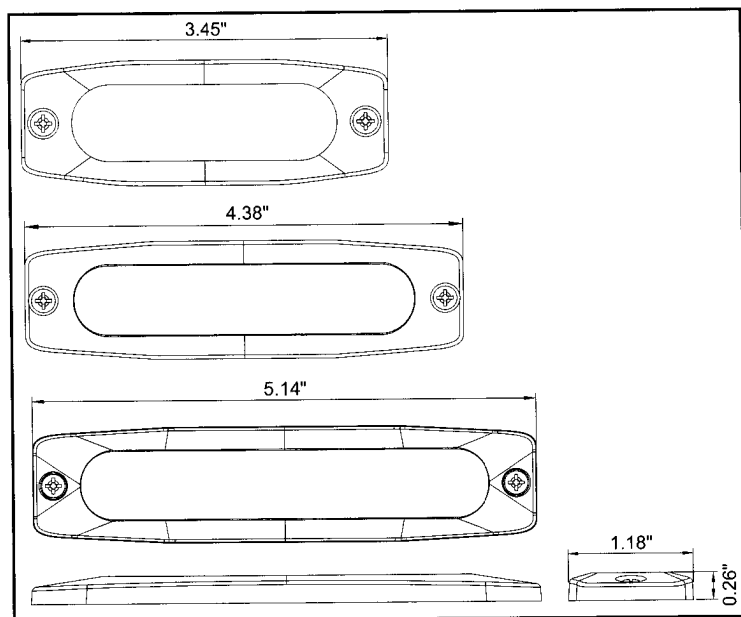
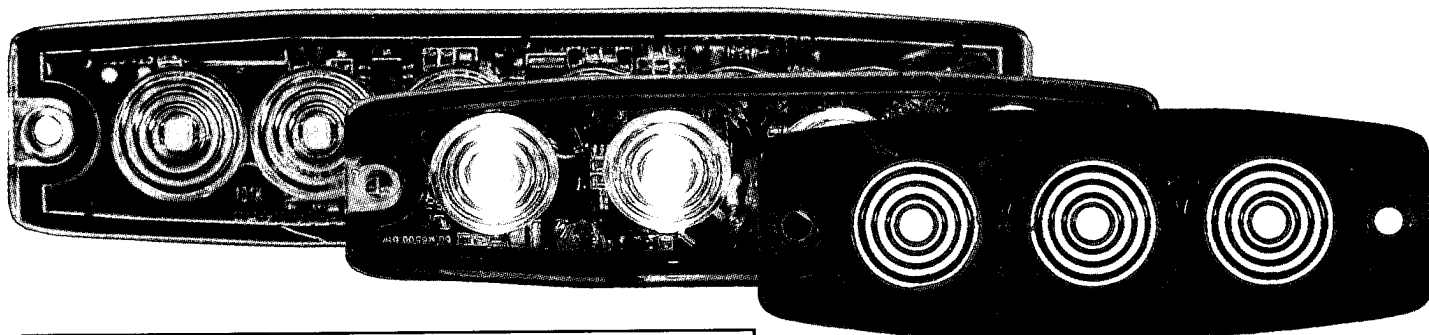


NEW PRODUCT



All dimensions shown are nominal

LED ULTRA-THIN STROBE LIGHTS

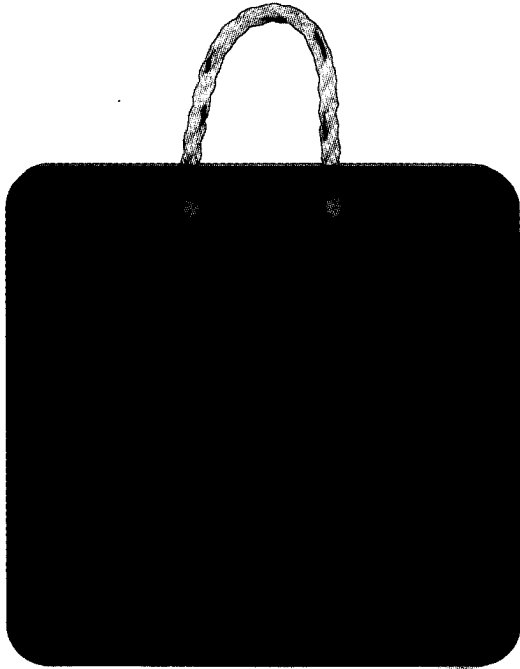
- 3, 4 and 6 High power LEDs available
- Clear polycarbonate lens
- Amps @ 12V: 3 LED - 0.54 Amps, 4 LED - 0.65, 6 LED - 0.50
- Flash patterns: 3 LED - 12 patterns, 4 & 6 LED - 23 patterns
- Aluminum housing w/3M™ self adhesive tape and mounting hardware
- See chart on reverse for SAE J595, Class 1, CA13 ratings
- IPX8 Waterproof
- 5 Year warranty
- Retail packaging

9049 Tyler Blvd. • Mentor, Ohio 44060
Phone (440) 974-8888 • Fax (800) 841-8003
Email: orders@buyersproducts.com

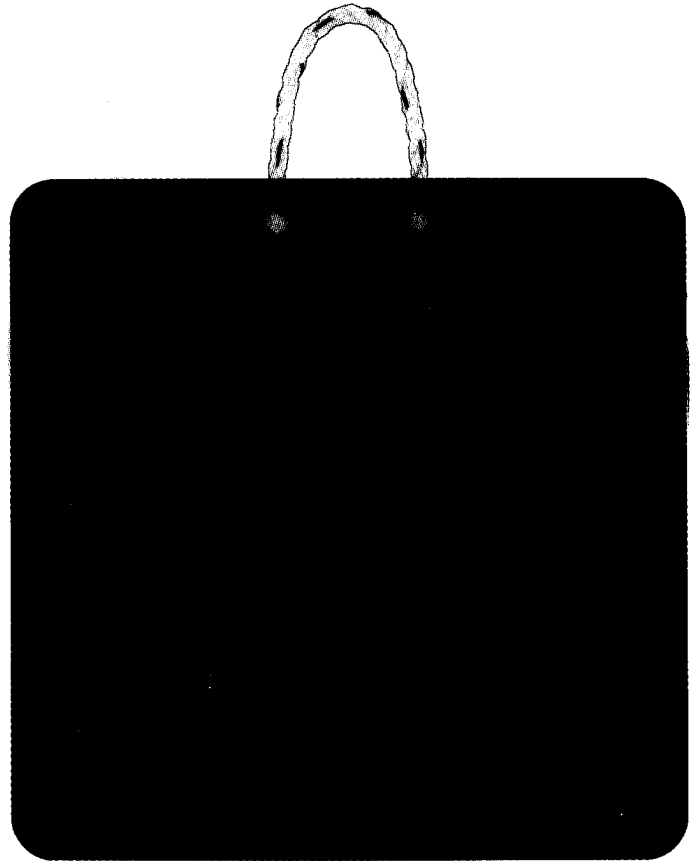
For more information visit www.buyersproducts.com



NEW PRODUCT



OP18X18P/OP181815



OP24X24P/OP242415

Poly Outrigger Pads

- Durable, HDPE High Density Polyethylene Construction
- 1/2 the weight of rubber
- Compact
- Rope style handle
- 2 Per carton

In Stock for Immediate Shipping!

PART NO.	DESCRIPTION	LIST	NET EA. 1-9	NET EA. 10+	PROD. CAT.	WT.
OP18X18P	Poly Outrigger Pad, 18" x 18" x 1"	119.75	59.87	53.90	520	11.7 lbs.
NEW OP181815	Poly Outrigger Pad, 18" x 18" x 1.5"	257.30	128.65	115.91	520	17.5 lbs.
OP24X24P	Poly Outrigger Pad, 24" x 24" x 1"	152.90	76.45	68.88	520	20.75 lbs.
NEW OP242415	Poly Outrigger Pad, 24" x 24" x 1.5"	326.00	163.00	150.75	520	30.0 lbs.

Pricing is consistent with current market conditions and is subject to change without notice.

9049 Tyler Blvd. • Mentor, Ohio 44060
Phone (440) 974-8888 • Fax (800) 841-8003
Email: orders@buyersproducts.com

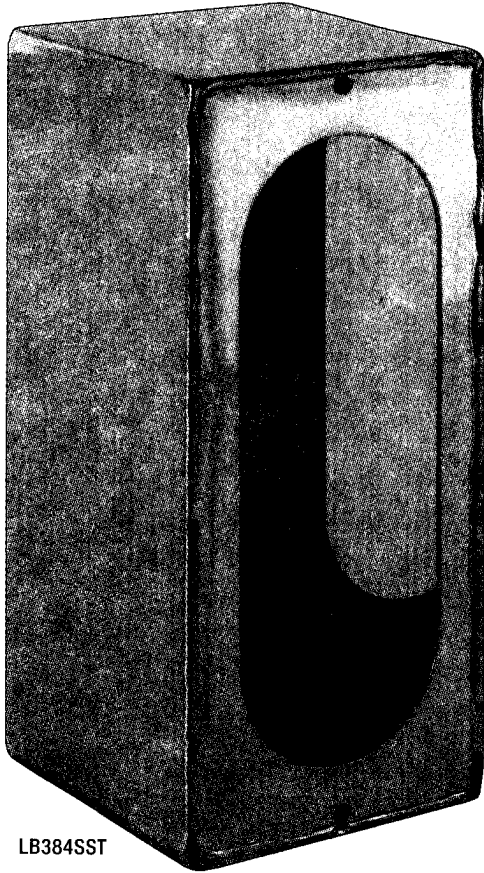
For more information visit www.buyersproducts.com



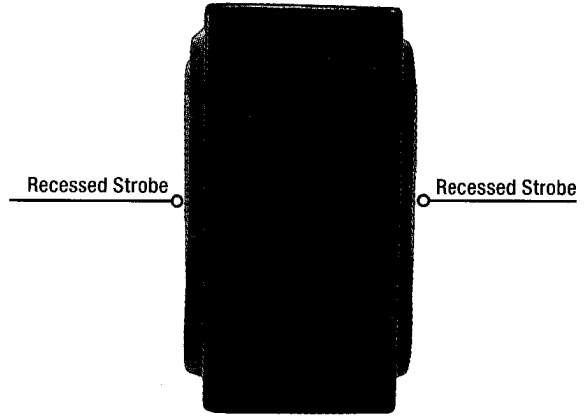
112316

LITOUTRIGGERPADS_A

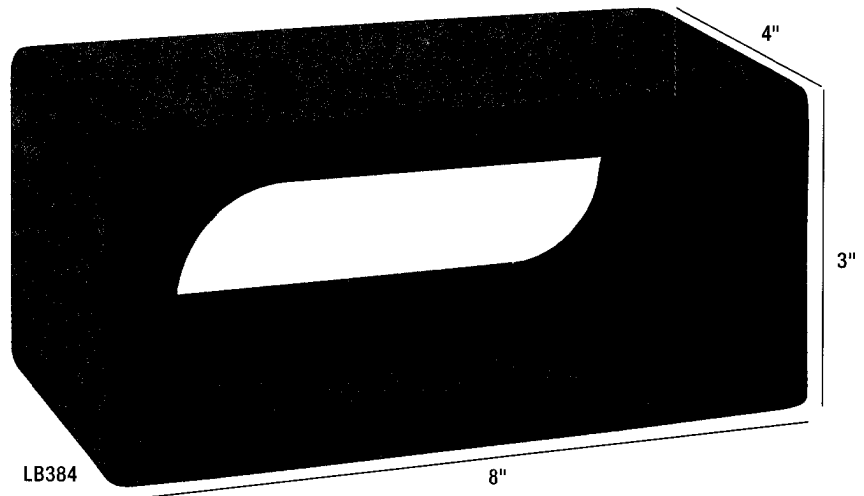
NEW PRODUCT



LB384SST



LB384 w/Optional Strobes



LB384

Single Oval (Front and Rear) Strobe Light Boxes

- Ideal for mounting 6" front and rear facing strobes
- 3" x 8" x 4"
- Continuously welded

In Stock for Immediate Shipping!

PART NO.	DESCRIPTION	LIST	NET EA. 1-9	NET EA. 10-49	NET EA. 50+	PROD. CAT.	WT.
LB384	Oval, Black Powder Coated Steel	45.25	22.62	21.31	19.99	520	2.55 lbs.
LB384SST	Oval, Stainless Steel	95.00	47.50	44.91	42.61	520	2.55 lbs.

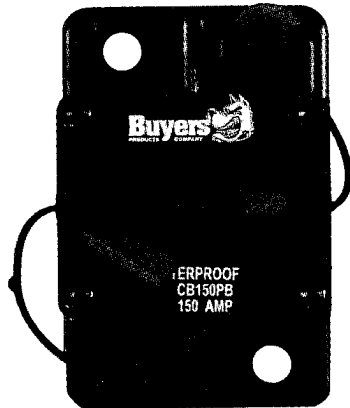
Pricing is consistent with current market conditions and is subject to change without notice.

9049 Tyler Blvd. • Mentor, Ohio 44060
 Phone (440) 974-8888 • Fax (800) 841-8003
 Email: orders@buyersproducts.com

For more information visit www.buyersproducts.com



NEW PRODUCT



Regular Frame: 1/4-28 studs
*see overall dimensions below



NEW Large Frame: 3/8-16 studs
*see overall dimensions below



Rubber Boots

HI-AMP CIRCUIT BREAKERS

- Ideal for power distribution panels, tarp gear motors, cranes, winches, etc.
- Large frame with 3/8" studs accommodates larger terminals
- Nickel finish brass studs w/rubber boots
- IP67 Waterproof
- Retail packaging

In Stock for Immediate Shipping!

PART NO.	RESET	AMP	LIST	NET EA. 1-4	NET EA. 5-19	NET EA. 20-39	NET EA. 40+	PROD. CAT.	WT.
Regular Frame *2-7/8" x 1-7/8"									
CB30PB	Manual Reset, Push-To-Trip	30	35.95	17.96	16.71	15.47	14.23	560	0.24 lbs.
CB50PB	Manual Reset, Push-To-Trip	50	35.95	17.96	16.71	15.47	14.23	560	0.24 lbs.
CB60	Auto Reset	60	35.95	17.96	16.71	15.47	14.23	560	0.23 lbs.
CB60PB	Manual Reset, Push-To-Trip	60	35.95	17.96	16.71	15.47	14.23	560	0.24 lbs.
CB80PB	Manual Reset, Push-To-Trip	80	35.95	17.96	16.71	15.47	14.23	560	0.24 lbs.
CB90PB	Manual Reset, Push-To-Trip	90	35.95	17.96	16.71	15.47	14.23	560	0.24 lbs.
CB100PB	Manual Reset, Push-To-Trip	100	35.95	17.96	16.71	15.47	14.23	560	0.24 lbs.
CB120PB	Manual Reset, Push-To-Trip	120	35.95	17.96	16.71	15.47	14.23	560	0.24 lbs.
CB150	Auto Reset	150	35.95	17.96	16.71	15.47	14.23	560	0.23 lbs.
CB150PB	Manual Reset, Push-To-Trip	150	35.95	17.96	16.71	15.47	14.23	560	0.24 lbs.
CB200PB	Manual Reset, Push-To-Trip	200	39.75	19.87	18.68	17.49	16.27	560	0.24 lbs.
Large Frame *3-3/8" x 1-7/8"									
CB151	Auto Reset	150	39.95	19.96	18.71	17.47	16.23	560	0.30 lbs.
CB151PB	Manual Reset, Push-To-Trip	150	39.95	19.96	18.71	17.47	16.23	560	0.31 lbs.
CB201	Auto Reset	200	43.75	21.87	20.68	19.49	18.27	560	0.30 lbs.
CB201PB	Manual Reset, Push-To-Trip	200	43.75	21.87	20.68	19.49	18.27	560	0.33 lbs.
NEW CB251PB	Manual Reset, Push-To-Trip	250	72.90	36.45	35.26	34.19	32.87	560	0.33 lbs.

Pricing is consistent with current market conditions and is subject to change without notice.

9049 Tyler Blvd. • Mentor, Ohio 44060
Phone (440) 974-8888 • Fax (800) 841-8003
Email: orders@buyersproducts.com

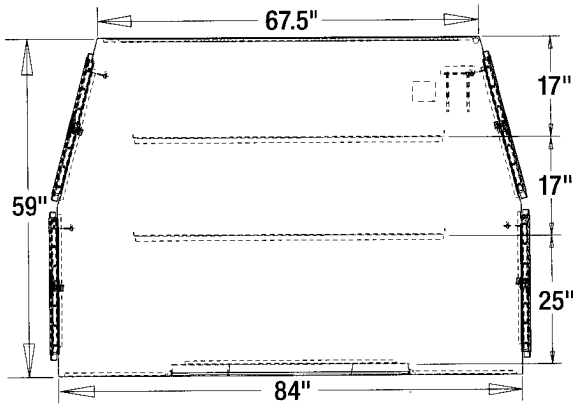
For more information visit www.buyersproducts.com



112316

LITHACB_E

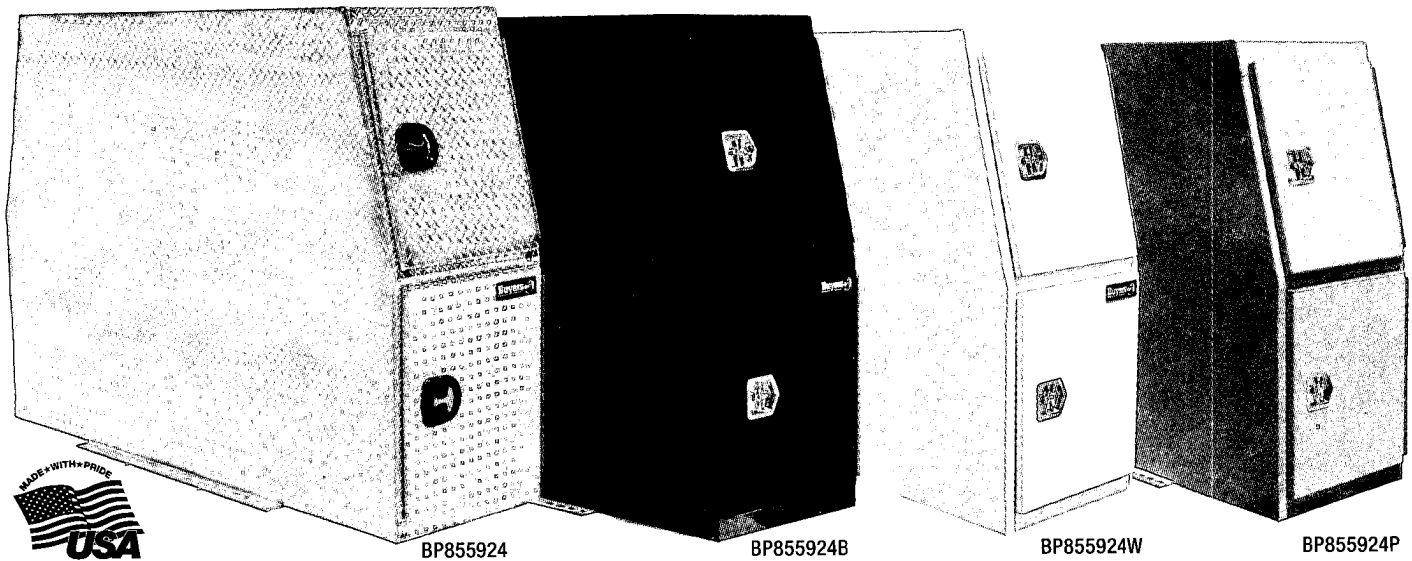
NEW PRODUCT



All dimensions shown are nominal



BP855924B Shown



B-Pack Toolboxes

- Flat base above floor, ideal for cab-over trucks
- Provides clearance for frame mounted battery boxes and tanks
- Two stationary shelves plus floor storage, Two Folding J-hooks, passenger side.
- Four doors with locking T-handle latches & gas spring door holders
- Automotive style, rubber D-bulb sealed doors
- Stainless Steel, 1/8" pin continuous door hinges
- Built-in frame mounting rails save time on installation and eliminate interior holes
- Available in black, white and primed steel, or diamond tread alluminum

In Stock for Immediate Shipping!

PART NO.	DESCRIPTION	LIST	NET EA.	NET EA. 2-4	NET EA. 5+	PROD. CAT.	WT.
BP855924	Alluminum, 59"H x 24"D x 85"W	3,990.00	1,995.00	1,897.00	1,825.00	530	350 lbs.
BP855924B	Black Steel, 59"H x 24"D x 84"W	3,550.00	1,775.00	1,597.00	1,493.00	592	453 lbs.
BP855924W	White Steel, 59"H x 24"D x 84"W	3,550.00	1,775.00	1,597.00	1,493.00	592	453 lbs.
BP855924P	Primed Steel, 59"H x 24"D x 84"W	3,550.00	1,775.00	1,597.00	1,493.00	592	453 lbs.

Pricing is consistent with current market conditions and is subject to change without notice.

9049 Tyler Blvd. • Mentor, Ohio 44060
 Phone (440) 974-8888 • Fax (800) 841-8003
 Email: orders@buyersproducts.com

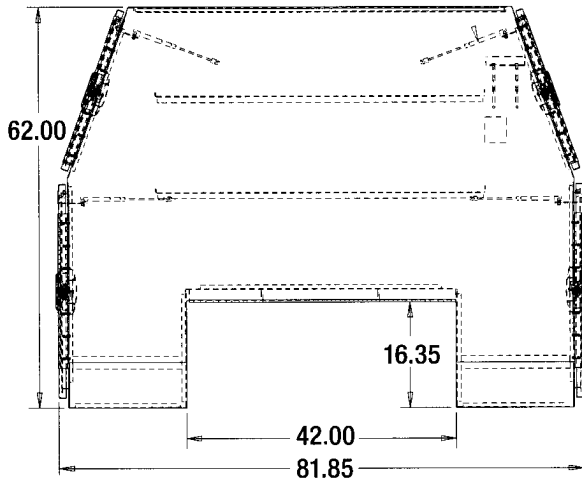
For more information visit www.buyersproducts.com



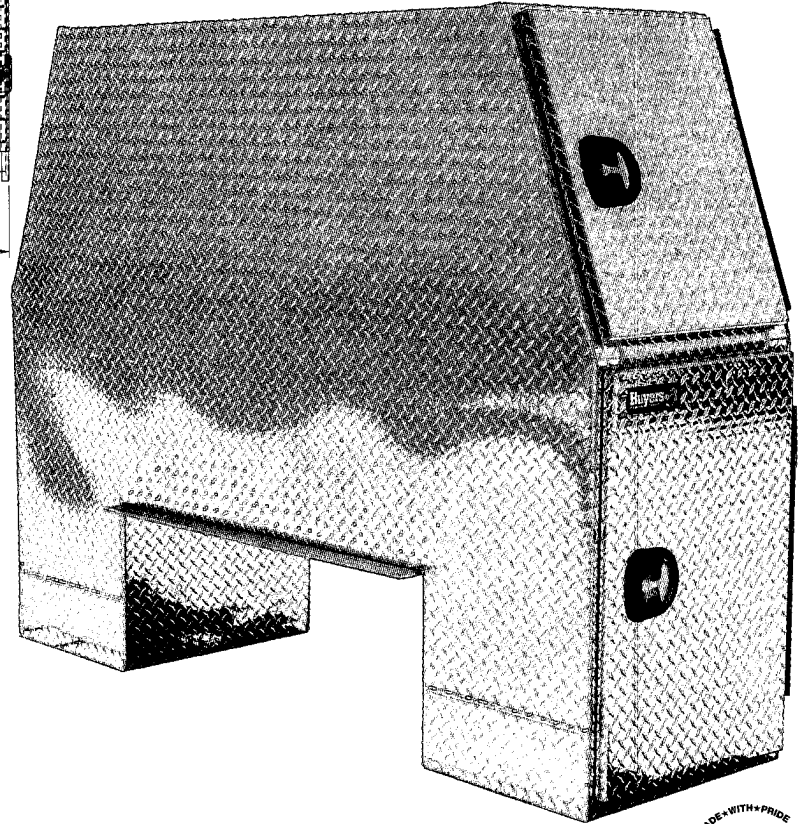
LITBP855924SERIES_A

070616

NEW PRODUCT



All dimensions shown are nominal



B-Pack Toolbox

- Add convenient spacious storage behind the cab of flatbeds, stake bodies, dump bodies, and service bodies.
- Two stationary shelves plus floor storage.
- Two Folding J-hooks, passenger side.
- Four doors with locking T-handle latches & gas spring door holders.
- Automotive style, rubber D-bulb sealed doors.
- Stainless Steel, 1/8" pin continuous door hinges.
- Built-in frame mounting rails save time on installation and eliminate interior holes.
- Includes universal spring cushion mounting kit.

In Stock for Immediate Shipping!

PART NO.	DESCRIPTION	LIST	NET EA.	NET EA. 2-4	NET EA. 5+	PROD. CAT.	WT.
BP826224	Alluminum, 62"H x 24"D x 82"W	4,400.00	2,200.00	2,096.00	1,997.00	530	254 lbs.

Pricing is consistent with current market conditions and is subject to change without notice.

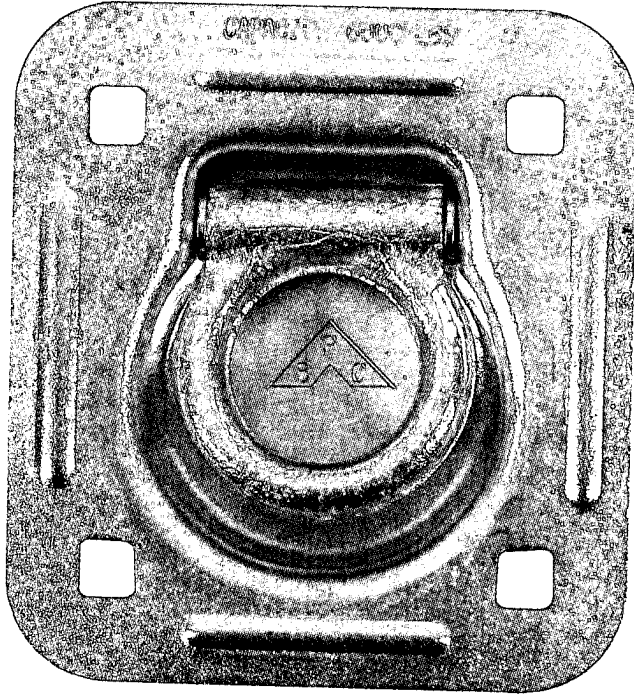
9049 Tyler Blvd. • Mentor, Ohio 44060
Phone (440) 974-8888 • Fax (800) 841-8003
Email: orders@buyersproducts.com

For more information visit www.buyersproducts.com

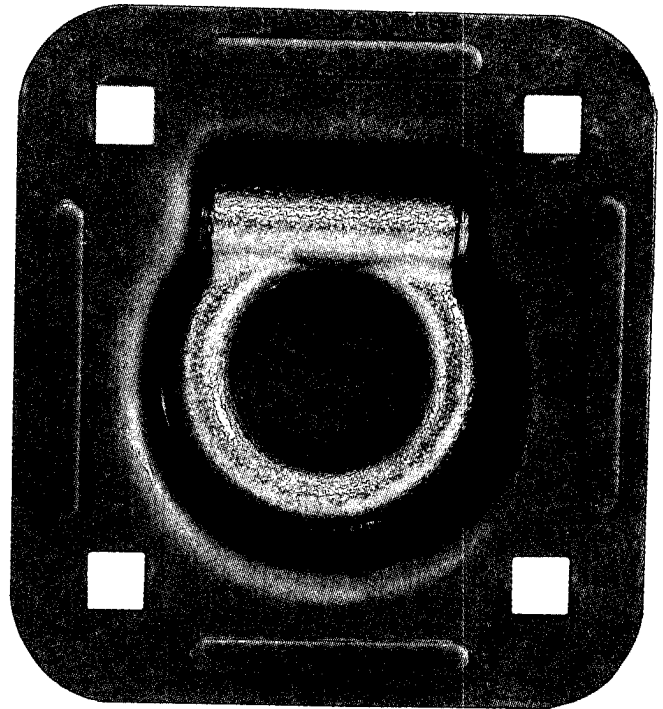


112316

LITBP826224SERIES_A



B801A



B801

Heavy-duty Recessed Tie Downs

- Zinc plated standard (B801 non-plated, weldable pan w/plated ring available)
- Formed 1/8" steel pan houses a ductile iron ring
- 3-5/8" dia. hole w/ 7/8" clearance below surface is required
- Square mounting holes for use with 3/8-16 x 2-1/4" carriage bolts
- Hole spacing (on center): Vertical- 3-1/4" x Horizontal - 3"
- Do not use for lifting

In Stock for Immediate Shipping!

PART NO.	DESCRIPTION	LIST	NET EA. 1-24	NET EA. 25-99	NET EA. 100-499	NET EA. 500-999	NET EA. 1000+	PROD. CAT.	WT.
B801A	Recessed Rope Ring	6.98	3.49	2.99	2.55	2.22	1.99	549	1.15 lbs.
NEW B801	Recessed Rope Ring (Non-plated Weldable Pan w/Ring)	6.88	3.44	2.94	2.50	2.17	1.94	549	1.15 lbs.

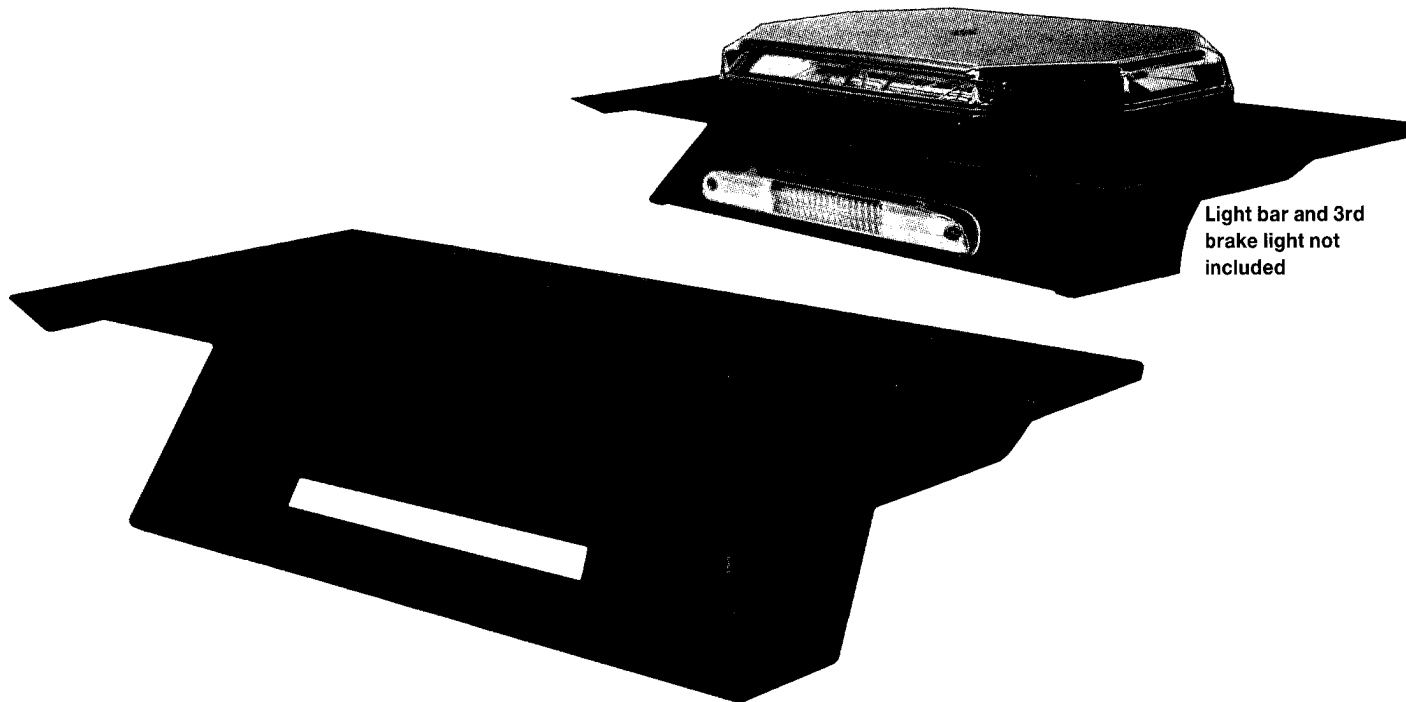
Pricing is consistent with current market conditions and is subject to change without notice.

9049 Tyler Blvd. • Mentor, Ohio 44060
 Phone (440) 974-8888 • Fax (800) 841-8003
 Email: orders@buyersproducts.com

For more information visit www.buyersproducts.com



NEW PRODUCT



Light bar and 3rd
brake light not
included

DRILL-FREE 3RD BRAKE LIGHT LIGHT BAR MOUNT

- Drill-Free mount eliminates holes in roof of cab
- 22" x 10" Platform accommodates a wide range of light bars, beacons, worklights, antennas, etc.

- Light-Weight aluminum construction
- 30 lb. Capacity
- Easy, 30-minute installation



In Stock for Immediate Shipping!

PART NO.	FITS	LIST	NET EA. 1-4	NET EA. 5-19	NET EA. 20-39	NET EA. 40+	PROD. CAT.	WT.
8895095	Chevy/GMC 1500-3500 Pick-Up & Chassis, 2007-2013	259.00	199.00	195.98	192.94	189.90	889	7.25 lbs.
8895100	Chevy/GMC 1500-3500 Pick-Up & Chassis, 2014-2016	259.00	199.00	195.98	192.94	189.90	889	7.25 lbs.
8895105	Chevy/GMC Colorado/Canyon w/Base I03 Antenna, 2015+	259.00	199.00	195.98	192.94	189.90	889	7.25 lbs.
8895110	Chevy/GMC Colorado/Canyon w/OnStar Antenna, 2015+	299.00	234.00	230.98	227.94	224.90	889	7.25 lbs.
NEW 8895150	Ford F-150 Pick-Up, 2015+; & Super-Duty F250-F550, 2017+	259.00	199.00	195.98	192.94	189.90	889	7.25 lbs.
8895250	Ford F-250 to F-550 Steel Cab Pick-Up & Chassis, 2006-2016	259.00	199.00	195.98	192.94	189.90	889	7.25 lbs.
8895300	Dodge/RAM 1500 to 3500 Pick-Up & Chassis, 2010-2016	259.00	199.00	195.98	192.94	189.90	889	7.25 lbs.
8895350	Dodge/RAM 5500 Cab Chassis, 2010-2016	259.00	199.00	195.98	192.94	189.90	889	7.25 lbs.

Pricing is consistent with current market conditions and is subject to change without notice.

9049 Tyler Blvd. • Mentor, Ohio 44060
Phone (440) 974-8888 • Fax (800) 841-8003
Email: orders@buyersproducts.com

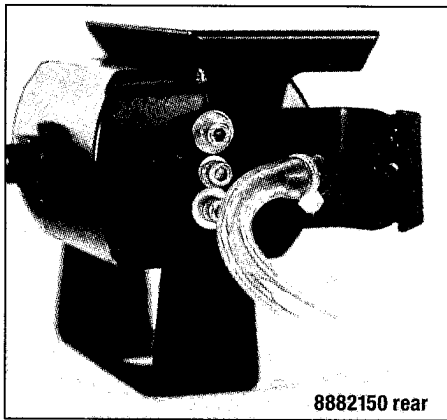
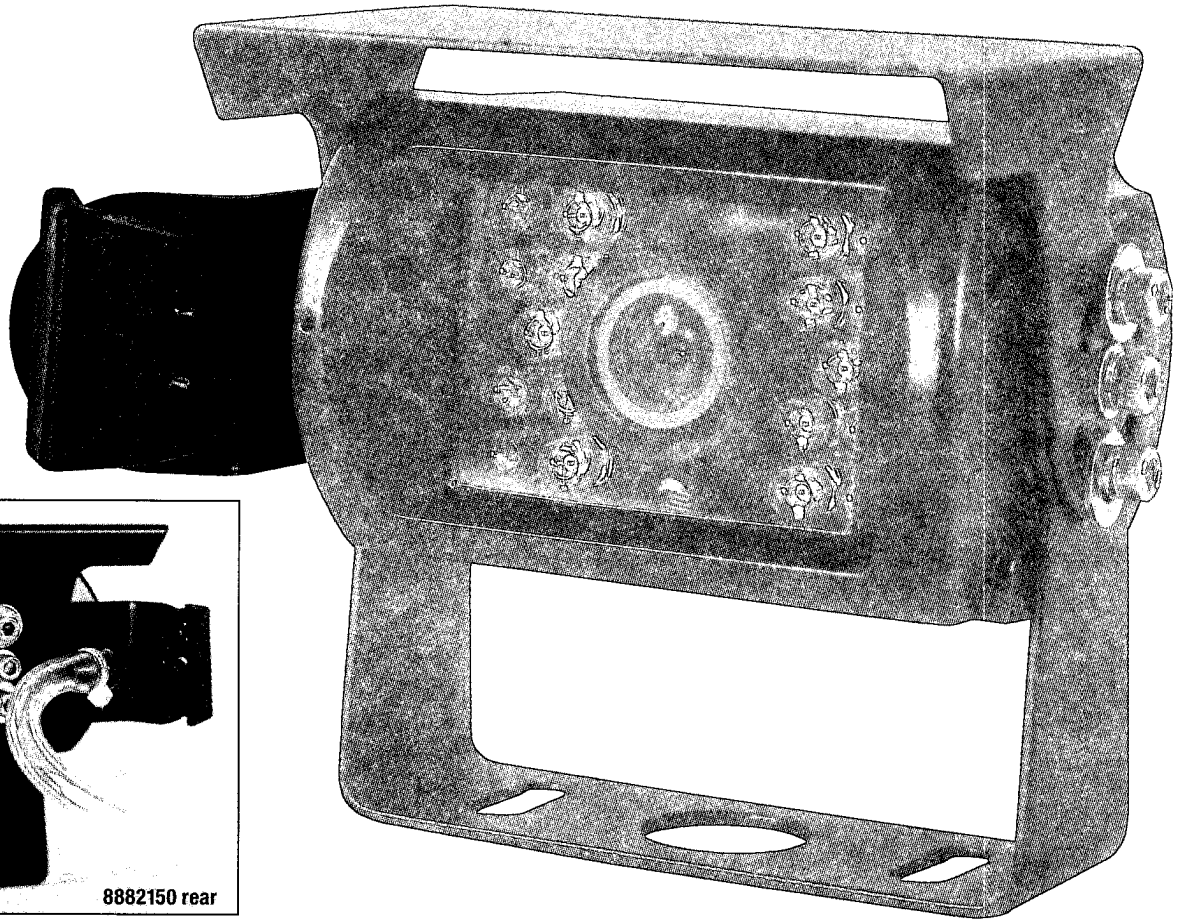
For more information visit www.buyersproducts.com



121316

LIT8895100_D

NEW PRODUCT



8882150 rear

Universal Camera Washing System

- Uses a stream of high pressure washer fluid to clean the lens of standard style rearview cameras. It can be activated from the cab of the truck with the included touch pad.
- Works with part number 8881211 camera (or similar)
- 12-24 VDC
- 12.7 PSI fluid pressure
- 1.5 quart fluid tank
- 9.5ft fluid tube
- 32ft power cable
- Touch pad controller

In Stock for Immediate Shipping!

PART NO.	DESCRIPTION	LIST	NET EA. 1-4	NET EA. 5-19	NET EA. 20-39	NET EA. 40+	PROD. CAT.	WT.
8882150	Universal Camera Washing System	249.90	124.95	121.63	118.31	114.99	888	4 lbs.

Pricing is consistent with current market conditions and is subject to change without notice.

9049 Tyler Blvd. • Mentor, Ohio 44060
 Phone (440) 974-8888 • Fax (800) 841-8003
 Email: orders@buyersproducts.com

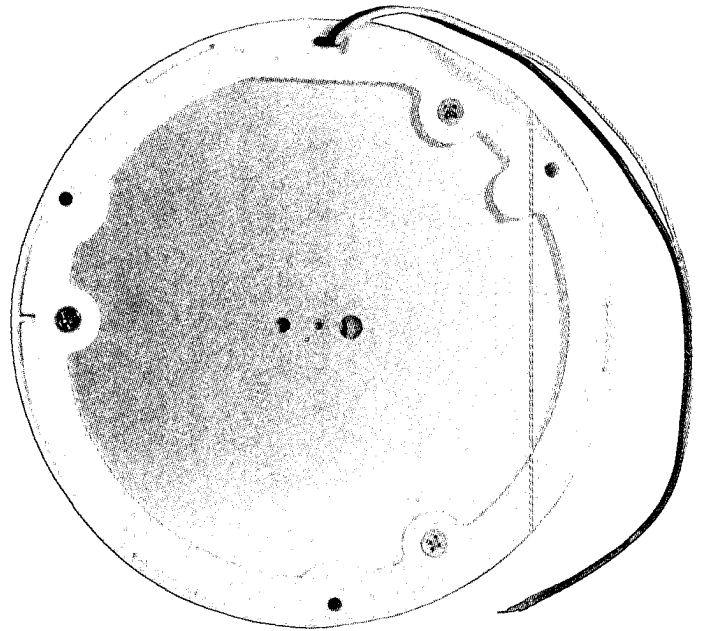
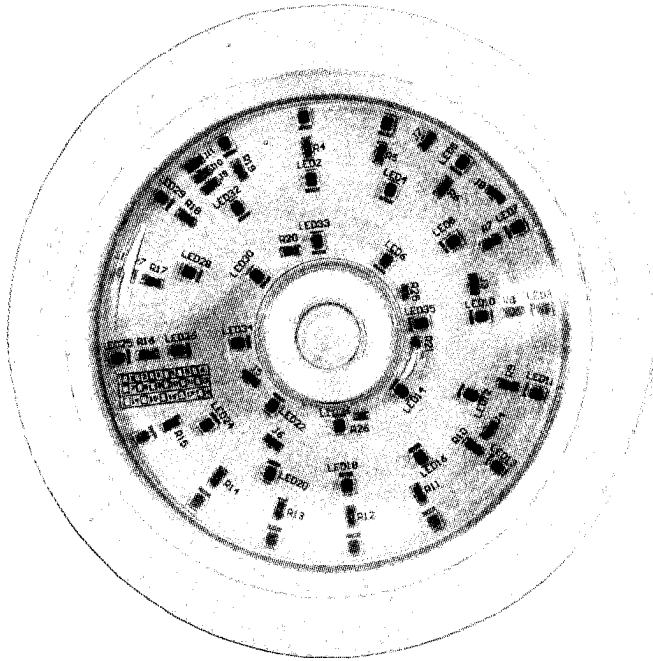
For more information visit www.buyersproducts.com



112316

LIT8882150_A

NEW PRODUCT



LED Interior Dome Lights

- 12-24V, 1.5A
- 36 LEDs
- 2200 Lumens
- 5.1" Dia. x .67" Thick
- Multiple switch options: remote, built-in, or motion sensor

In Stock for Immediate Shipping!

PART NO.	DESCRIPTION	LIST	NET EA. 1-9	NET EA. 10-49	NET EA. 50-99	NET EA. 100+	PROD. CAT.	WT.
5625336	Interior Dome Light, for Remote Switch	39.90	19.95	19.37	18.76	18.15	562	0.39 lbs.
5625337	Interior Dome Light w/Built-in Switch	42.90	21.45	20.80	20.15	19.50	562	0.41 lbs.
5625338	Interior Dome Light w/Motion Sensor	44.55	22.27	21.60	20.93	20.25	562	0.41 lbs.

Pricing is consistent with current market conditions and is subject to change without notice.

9049 Tyler Blvd. • Mentor, Ohio 44060
 Phone (440) 974-8888 • Fax (800) 841-8003
 Email: orders@buyersproducts.com

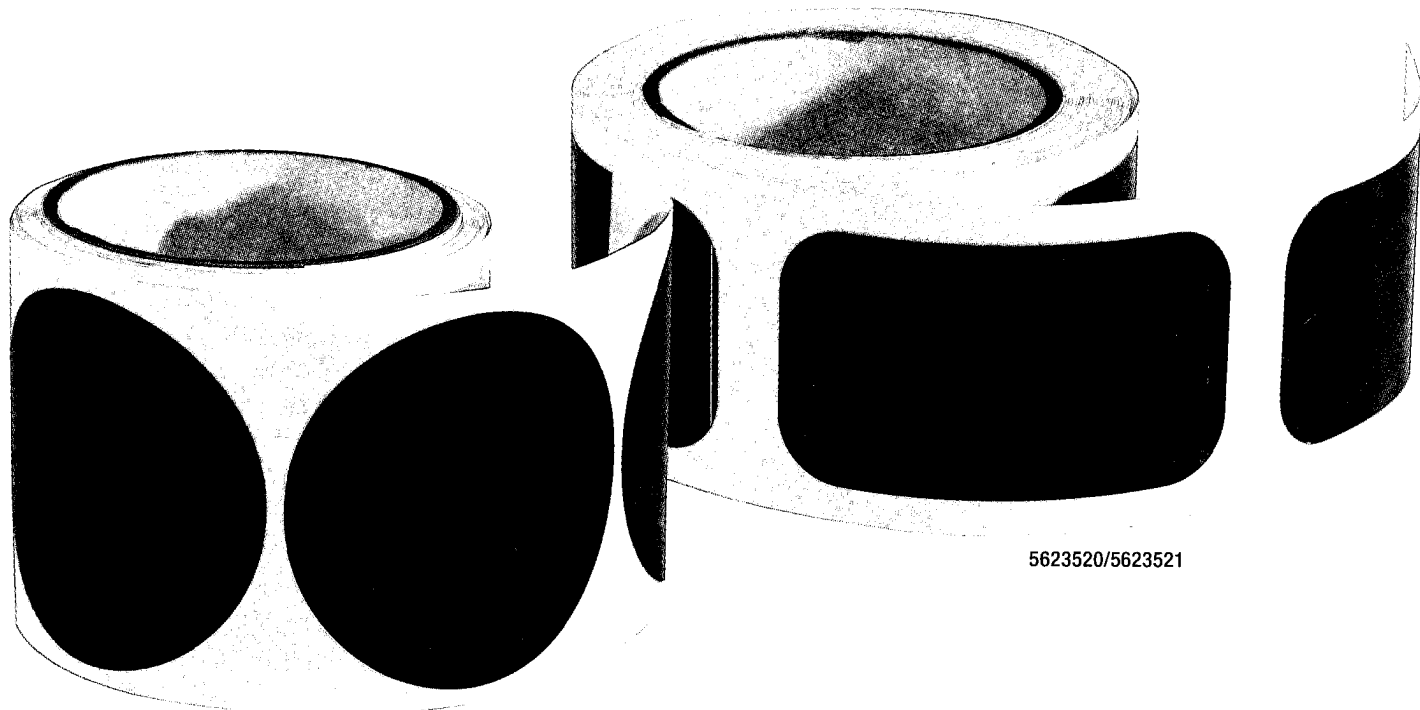
For more information visit www.buyersproducts.com



120116

LIT5625336_A

NEW PRODUCT



5623000/5623001

5623520/5623521

DOT Reflectors

- Red or Amber
- Stick-on decals
- 3" Round or 3-1/2" Rectangular
- Convenient, roll quantity

In Stock for Immediate Shipping!

PART NO.	DESCRIPTION	LIST	NET EA. 1-9	NET EA. 10-49	NET EA. 50-99	NET EA. 100+	PROD. CAT.	WT.
5623000	3" Round, Red, 100 per Roll	123.20	61.60	59.74	57.88	56.00	562	0.55 lbs.
5623001	3" Round, Amber, 100 per Roll	123.20	61.60	59.74	57.88	56.00	562	0.55 lbs.
5623520	3-1/2" Rec., Red, 500 per Roll	299.90	149.95	146.64	143.33	140.00	562	2.2 lbs.
5623521	3-1/2" Rec., Amber, 500 per Roll	299.90	149.95	146.64	143.33	140.00	562	2.2 lbs.

Pricing is consistent with current market conditions and is subject to change without notice.

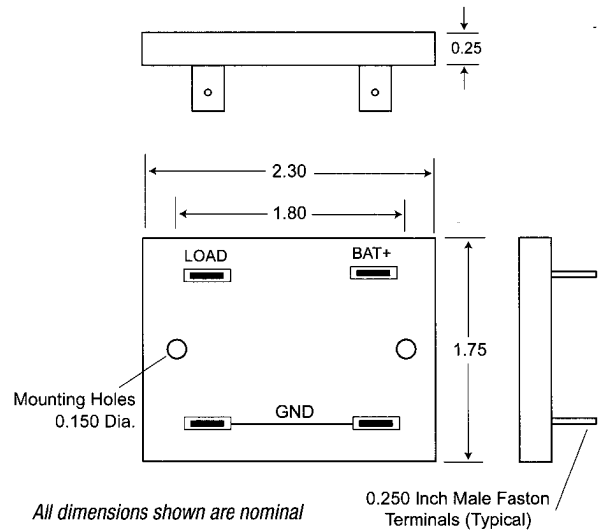
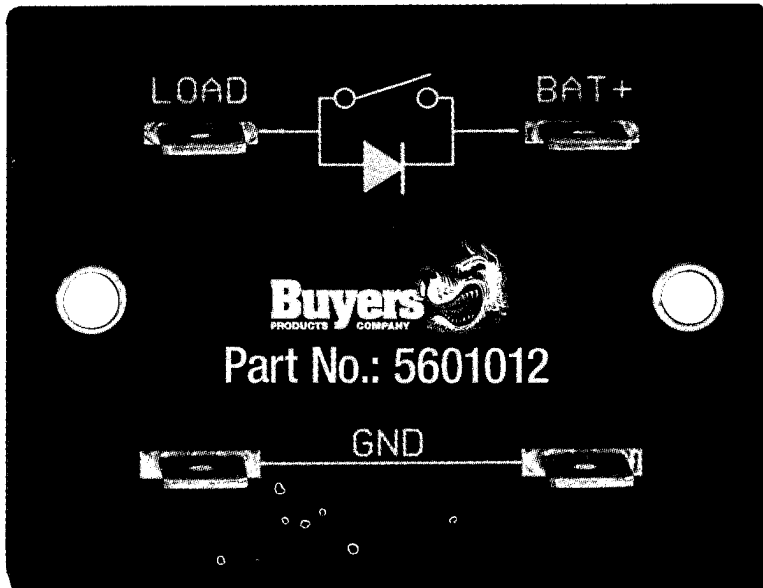
9049 Tyler Blvd. • Mentor, Ohio 44060
 Phone (440) 974-8888 • Fax (800) 841-8003
 Email: orders@buyersproducts.com

For more information visit www.buyersproducts.com



120116

LIT5623000_A



Low Voltage Power Disconnect

- Solid state, low voltage disconnect for 12 volt vehicle applications.
- An internal microprocessor will switch off power to accessories, if voltage drops below 12.8 volts continuously for more than 5 minutes.
- Power is switched off immediately if voltage drops below 11.8 volts, regardless of time.
- Power is restored once voltage increases above 13.25 volts.
- 12 volt, 20 amp output
- Internal microprocessor
- 5 minute timer
- Over current fault shutdown protection
- 4-wire terminal configuration
- Durable metal case helps shield from electromagnetic interference (EMI)

Available to Ship in November 2016!

PART NO.	DESCRIPTION	LIST	NET EA. 1-9	NET EA. 10+	PROD. CAT.	WT.
5601012	Low Voltage Power Disconnect	58.50	48.75	46.44	639	.25 lbs.

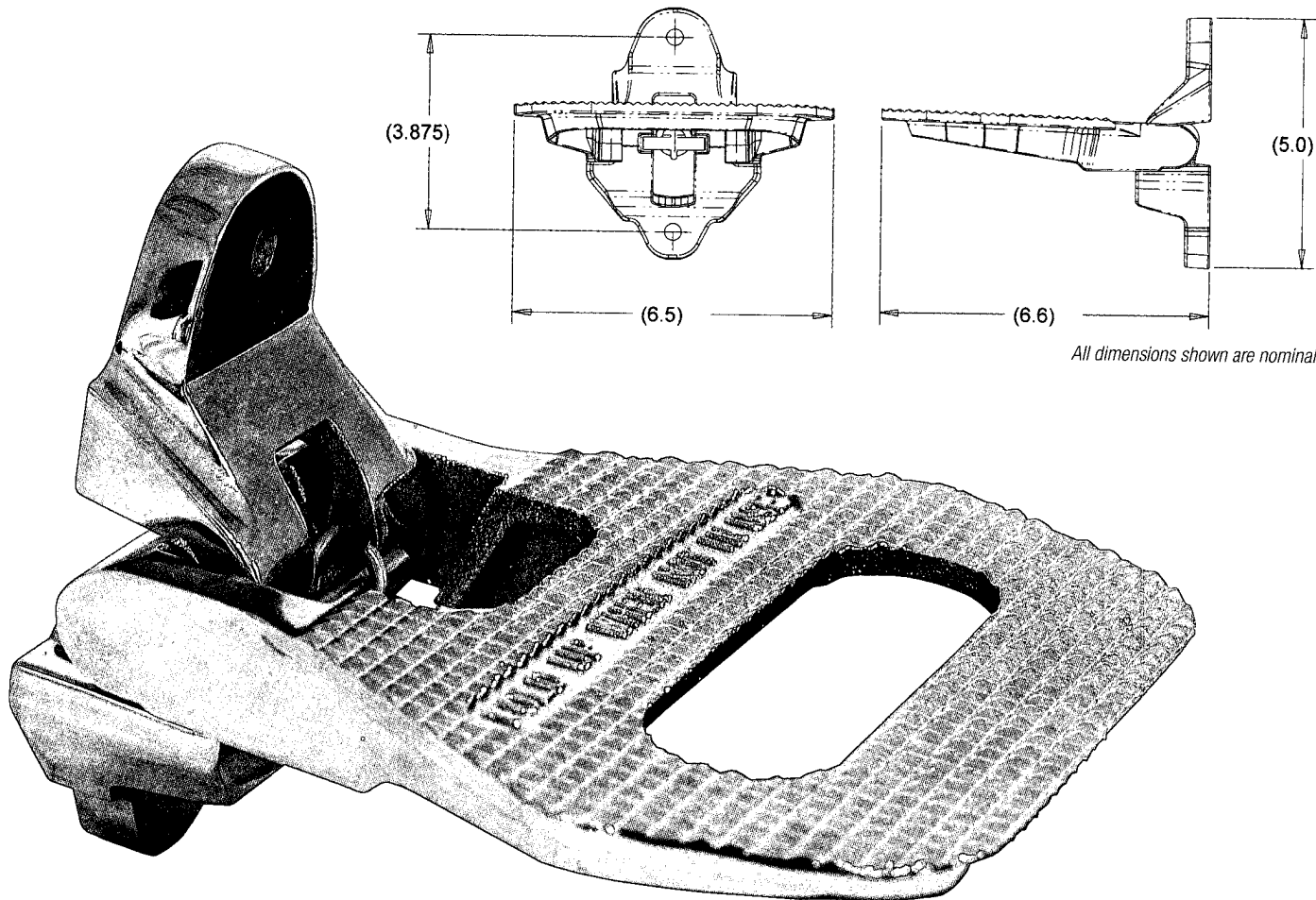
Pricing is consistent with current market conditions and is subject to change without notice.

9049 Tyler Blvd. • Mentor, Ohio 44060
 Phone (440) 974-8888 • Fax (800) 841-8003
 Email: orders@buyersproducts.com

For more information visit www.buyersproducts.com



NEW PRODUCT



Folding Steps

- Die cast steel
- Chrome or zinc finish available
- Stainless steel springs retain step firmly in opened or closed position
- Conforms to NFPA specifications
- 5-1/3" x 6-1/2" step platform
- Built-in hand grab

Available February 2017!

	PART NO.	DESCRIPTION	LIST	NET EA. 1-24	NET EA. 25-49	NET EA. 50-99	NET EA. 100+	PROD. CAT.	WT.
Feb '17	5236585	Safety Folding Step, Polished Chrome Finish	89.00	44.95	42.70	40.57	38.54	523	3.5 lbs.
In Stock	5236586	Safety Folding Step, Zinc Finish	42.30	21.15	19.99	18.97	17.95	523	3.5 lbs.

Pricing is consistent with current market conditions and is subject to change without notice.

9049 Tyler Blvd. • Mentor, Ohio 44060
 Phone (440) 974-8888 • Fax (800) 841-8003
 Email: orders@buyersproducts.com

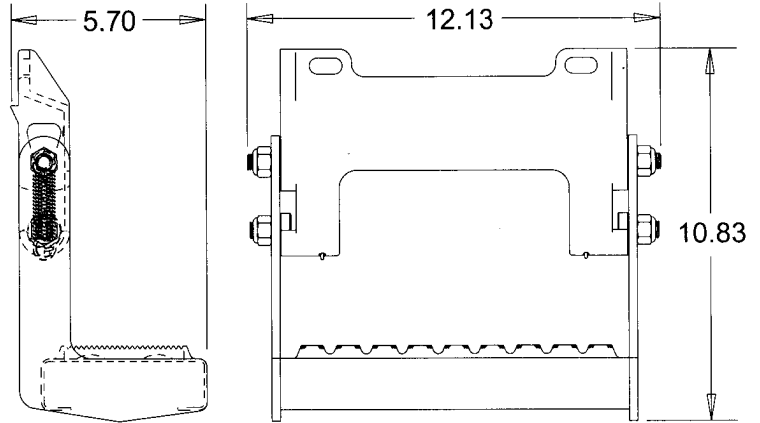
For more information visit www.buyersproducts.com



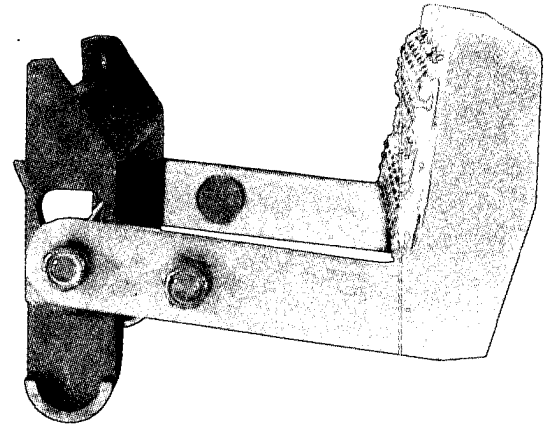
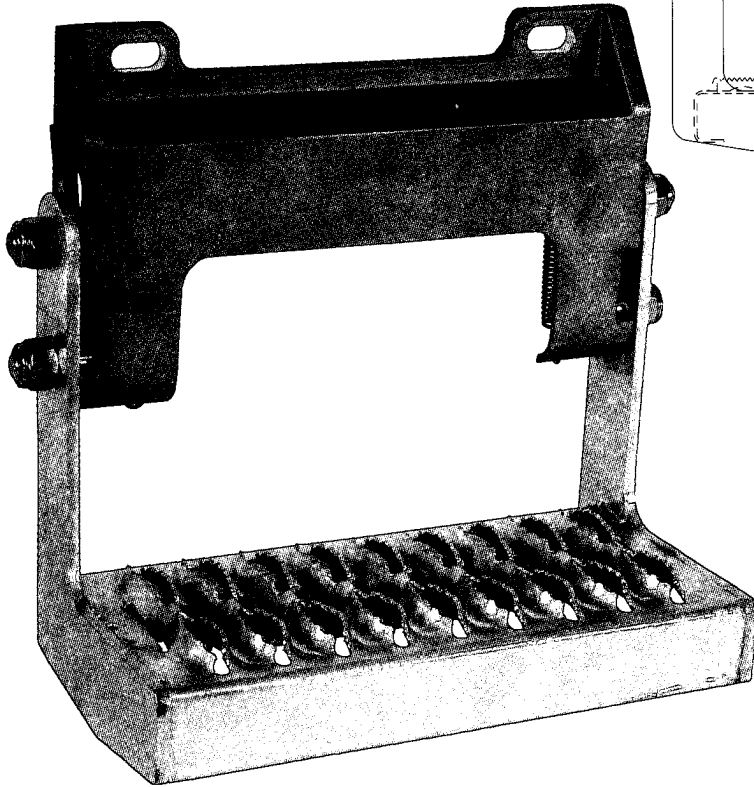
120116

LIT5236585_A

NEW PRODUCT



All dimensions shown are nominal.



Breakaway Step

- Folds forward or backwards to prevent damage if impacted
- Folds up for transport for added ground clearance on low step bumpers
- Cast brass mounting bracket
- Galvanized steel step grip
- Stainless steel pivot shafts, springs, and fasteners

In Stock for Immediate Shipping!

PART NO.	DESCRIPTION	LIST	NET EA. 1-2	NET EA. 3-9	NET EA. 10-24	NET EA. 25+	PROD. CAT.	WT.
5230710	Breakaway Step, 7" T x 10" W x 4" D	248.75	124.37	118.22	112.31	99.50	523	8.45 lbs.

Pricing is consistent with current market conditions and is subject to change without notice.

9049 Tyler Blvd. • Mentor, Ohio 44060
 Phone (440) 974-8888 • Fax (800) 841-8003
 Email: orders@buyersproducts.com

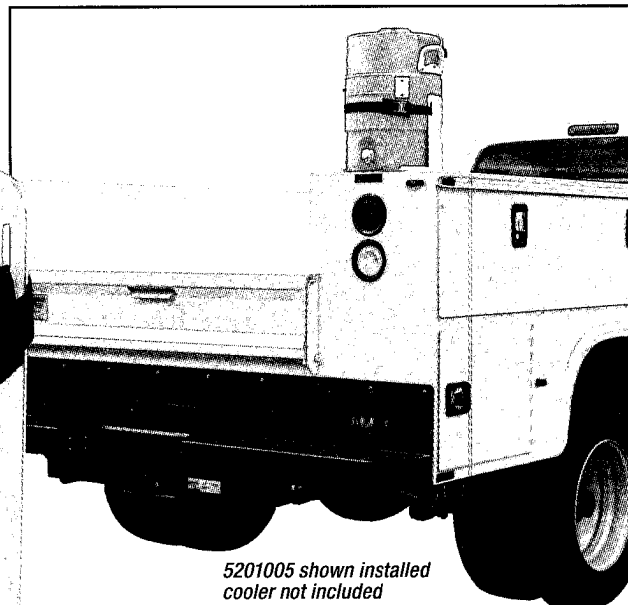
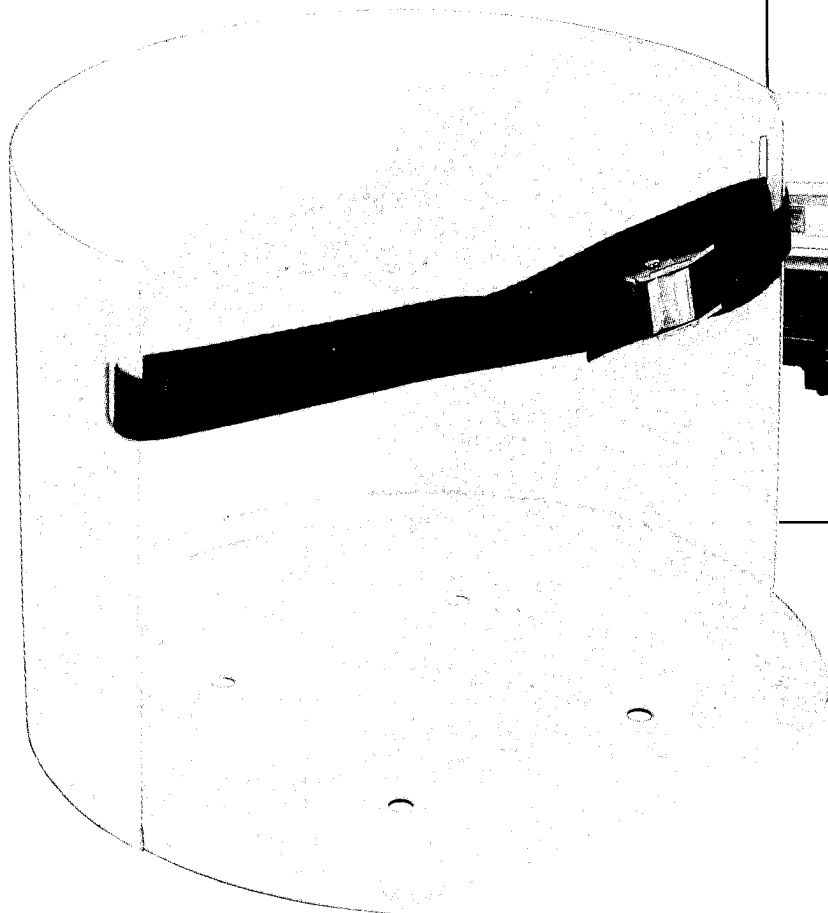
For more information visit www.buyersproducts.com



120116

LIT5230710_A

NEW PRODUCT



5 GALLON WATER COOLER MOUNT

- Ideal for Service/Utility Bodies
- Holds Common 5 Gallon Water Coolers
- White Powder Coat Finish
- Adjustable Strap and Mounting Hardware Included
- Retailed Packaged

Available to Ship November 2016!

PART NO.	DESCRIPTION	LIST	NET EA. 1-9	NET EA. 10-24	NET EA. 25+	PROD. CAT.	WT.
5201005	5 Gallon Water Cooler Mount	59.90	29.95	28.75	27.60	520	7.92 lbs.

Pricing is consistent with current market conditions and is subject to change without notice.

9049 Tyler Blvd. • Mentor, Ohio 44060
 Phone (440) 974-8888 • Fax (800) 841-8003
 Email: orders@buyersproducts.com

For more information visit www.buyersproducts.com



070816

LIT5201005_A

NEW PRODUCT



2-1/2" Shank Heavy-Duty Ball Mounts

- Fits 2-1/2" receiver tubes
- Welded steel construction
- Black powder coat finish
- Tongue accepts 1-1/4" dia. shank towing balls

In Stock for Immediate Shipping!

PART NO.	SHANK		MAX DROP	RISE	M.V.L. (LBS.)	M.G.T.W. (LBS.)	LIST	NET EA.	NET EA.	NET EA.	NET EA.	PROD. CAT.	WT. (LBS.)
	SIZE	LENGTH						1-9	10-49	50-99	100+		
1803405	2-1/2"	10"	3"	1-1/2"	1,200	12,000	64.95	32.48	29.60	27.73	24.86	536	11.85
1803410	2-1/2"	10"	5"	3-1/2"	1,200	12,000	75.85	37.91	34.57	32.16	27.33	536	14.50
NEW 1803415	2-1/2"	10"	7-3/4"	6-1/4"	1,500	15,000	79.80	39.90	37.89	35.91	29.95	536	17.52

Pricing is consistent with current market conditions and is subject to change without notice.

9049 Tyler Blvd. • Mentor, Ohio 44060
 Phone (440) 974-8888 • Fax (800) 841-8003
 Email: orders@buyersproducts.com

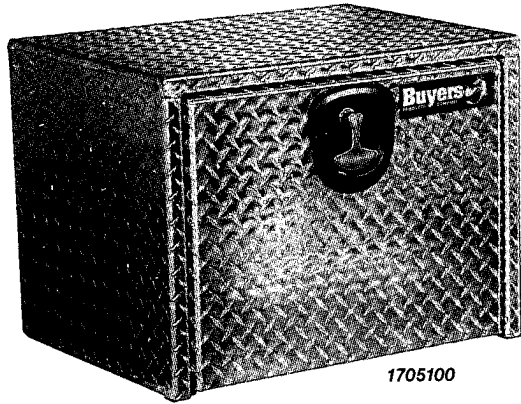
For more information visit www.buyersproducts.com



120116

LIT1803415_A

NEW PRODUCT



Aluminum Underbody Drop Door Toolboxes

- .100" thick diamond tread aluminum
- Drop-down recessed door with continuous hidden hinge
- Locking die-cast T-handle compression latch(es)
- Door opening: flat surface mount (90°) or underbody mount (180°)
- Reinforced door backbone on boxes 48" & wider
- Aircraft-grade door cables and replaceable gasket sealing system

In Stock for Immediate Shipping!

	PART NO.	HEIGHT	DEPTH	WIDTH	# OF LATCHES	LIST	NET EA. 1-2	NET EA. 3-9	NET EA. 10-24	NET EA. 25-49	NET EA. 50+	PROD. CAT.	WT. (LBS.)
NEW	1705148	14	12	16	1	395.95	197.95	181.25	172.56	164.95	158.25	546	17.8
NEW	1705149	14	12	18	1	399.95	199.95	183.25	174.56	166.95	160.25	546	18.8
	1705150	14	12	24	1	413.35	206.67	191.04	178.58	170.91	164.22	546	23
	1705153	14	12	30	1	478.60	239.28	221.67	206.73	197.92	190.10	546	26
	1705160	14	16	24	1	429.35	214.66	197.71	182.97	175.74	168.63	546	25
	1705101	18	18	18	1	453.15	226.56	209.05	195.30	186.84	179.58	546	30
	1705100	18	18	24	1	457.70	228.85	211.34	197.55	189.07	181.79	546	32.5
	1705103	18	18	30	1	486.30	243.13	222.80	212.81	203.76	194.97	546	38.5
	1705105	18	18	36	1	549.25	274.60	251.79	240.59	230.26	220.33	546	43
NEW	1705118	20	20	36	1	677.00	338.50	321.57	305.49	290.22	270.85	546	46
	1705130	24	24	24	1	599.88	299.94	285.35	270.76	256.17	241.55	546	45
	1705133	24	24	30	1	687.88	343.94	325.97	307.99	289.76	275.15	546	52
	1705135	24	24	36	1	714.84	357.42	339.54	321.66	303.78	285.93	546	59.5
	1705110	18	18	48	2	717.74	358.87	340.93	322.99	305.05	287.09	546	56.5
	1705115	18	18	60	2	747.30	373.65	339.16	323.47	309.25	295.23	546	66
	1705120	18	24	48	2	797.75	398.86	378.92	359.97	341.97	324.88	546	63.5

Pricing is consistent with current market conditions and is subject to change without notice.

9049 Tyler Blvd. • Mentor, Ohio 44060
 Phone (440) 974-8888 • Fax (800) 841-8003
 Email: orders@buyersproducts.com

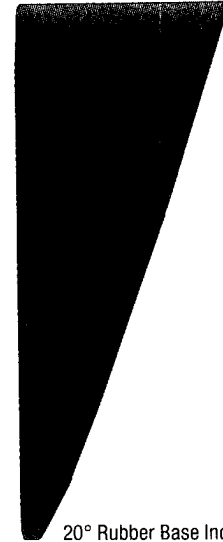
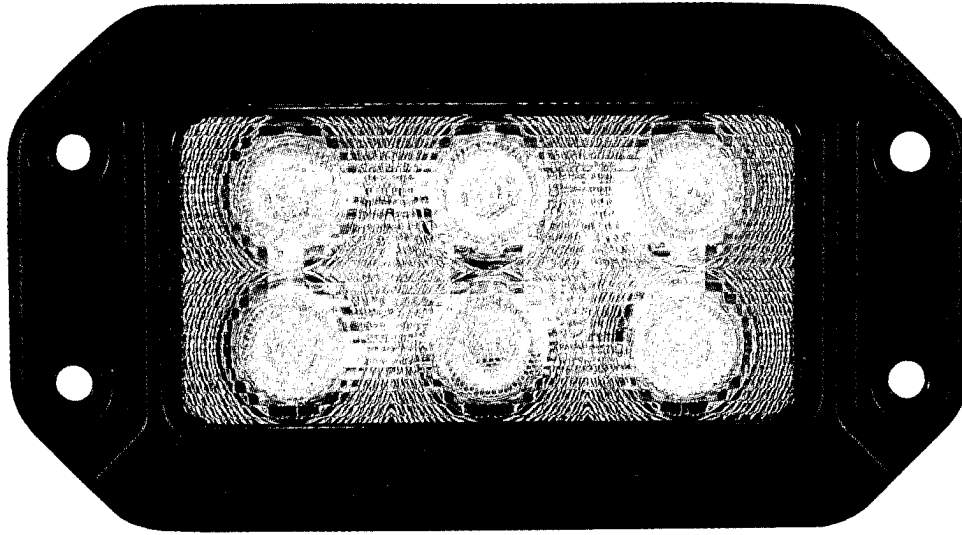
For more information visit www.buyersproducts.com



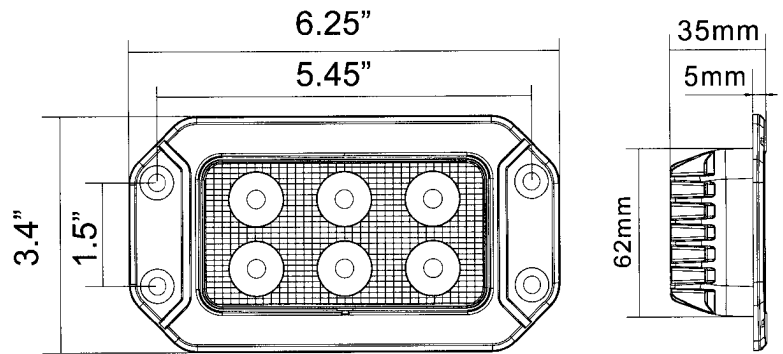
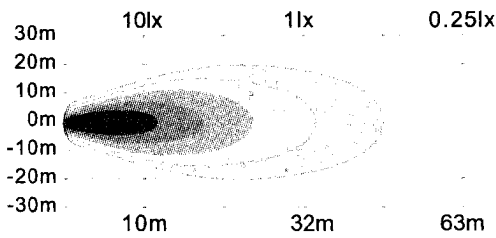
112816

LIT51000SERIES

NEW PRODUCT



20° Rubber Base Included



LED 6-1/4" RECTANGULAR FLOOD LIGHT

- Recessed mounted
- 6 LED's
- 1140 Lumens
- 12-24VDC, 0.75 amps
- Die cast powder coated aluminum housing
- Polycarbonate lens
- Standard gasket and 20° rubber base included
- IP67, IP69K Waterproof, CE, RoHS
- 5 year warranty
- Retail Packaged

In Stock for Immediate Shipping!

PART NO.	DESCRIPTION	LIST	NET EA. 1-9	NET EA. 10-49	NET EA. 50-99	NET EA. 100+	PROD. CAT.	WT.
1492191	6 LED Rectangular Flood Light	63.00	31.50	29.95	28.43	26.75	562	1.23 lbs.

Pricing is consistent with current market conditions and is subject to change without notice.

9049 Tyler Blvd. • Mentor, Ohio 44060
 Phone (440) 974-8888 • Fax (800) 841-8003
 Email: orders@buyersproducts.com

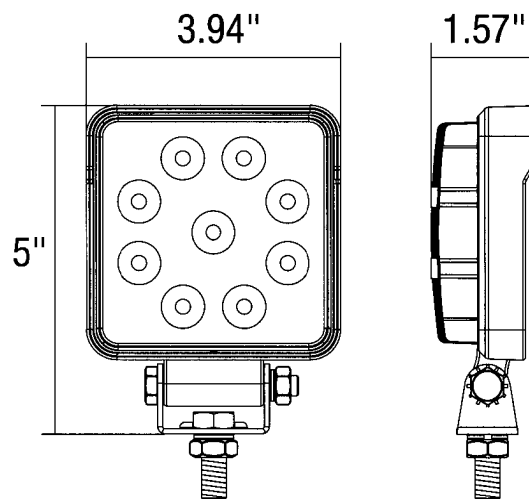
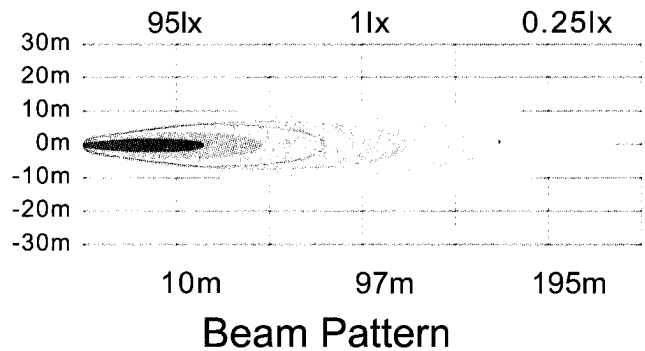
For more information visit www.buyersproducts.com



112316

LIT1492191_A

NEW PRODUCT



4" Square LED Spot Light

- 9 LED's
- 2430 Lumens
- 12-24VDC, 1.25 amps
- Die cast powder coated aluminum housing
- Polycarbonate lens
- IP67, IP69K Waterproof, CE, RoHS
- 5 year warranty

Available February 2017!

PART NO.	DESCRIPTION	LIST	NET EA. 1-9	NET EA. 10-49	NET EA. 50-99	NET EA. 100+	PROD. CAT.	WT (LBS.)
1492134	4" Square LED Spot Light, 9 LED's	65.94	32.97	31.32	29.75	26.40	546	1.12

Pricing is consistent with current market conditions and is subject to change without notice.

9049 Tyler Blvd. • Mentor, Ohio 44060
Phone (440) 974-8888 • Fax (800) 841-8003
Email: orders@buyersproducts.com

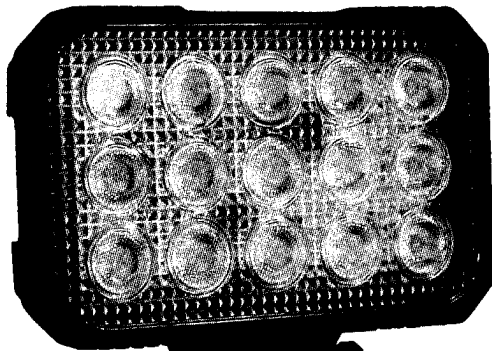
For more information visit www.buyersproducts.com



120616

LIT1492134_A

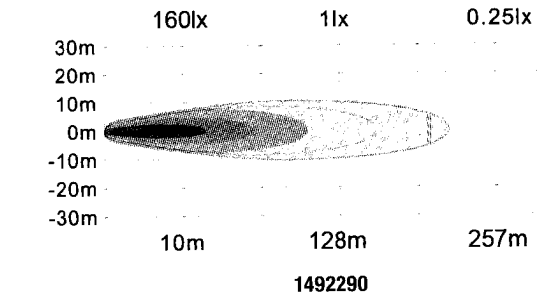
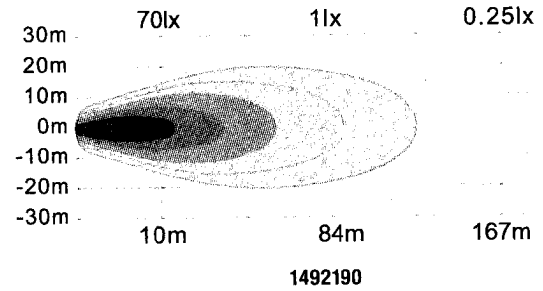
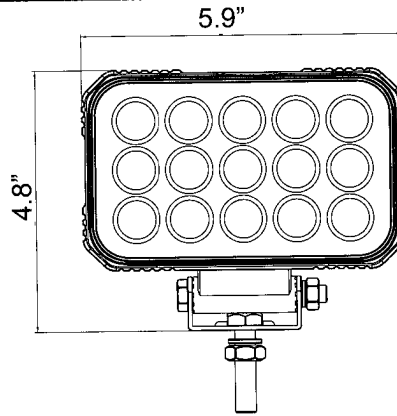
NEW PRODUCT



1492190



1492290



LED 6" RECTANGULAR FLOOD & SPOT LIGHTS

- 15 LED's
- 4050 Lumens
- 12-24VDC, 1.96 amps
- Die cast powder coated aluminum housing
- Polycarbonate lens
- IP67, IP69K Waterproof, CE, RoHS
- 5 year warranty
- Retail Packaged

In Stock January 2017!

PART NO.	DESCRIPTION	LIST	NET EA. 1-9	NET EA. 10-49	NET EA. 50-99	NET EA. 100+	PROD. CAT.	WT.
1492190	15 LED Rectangular Flood Light	94.30	47.45	45.37	43.28	38.95	562	1.6 lbs.
1492290	15 LED Rectangular Spot Light	94.30	47.45	45.37	43.28	38.95	562	1.6 lbs.

Pricing is consistent with current market conditions and is subject to change without notice.

9049 Tyler Blvd. • Mentor, Ohio 44060
Phone (440) 974-8888 • Fax (800) 841-8003
Email: orders@buyersproducts.com

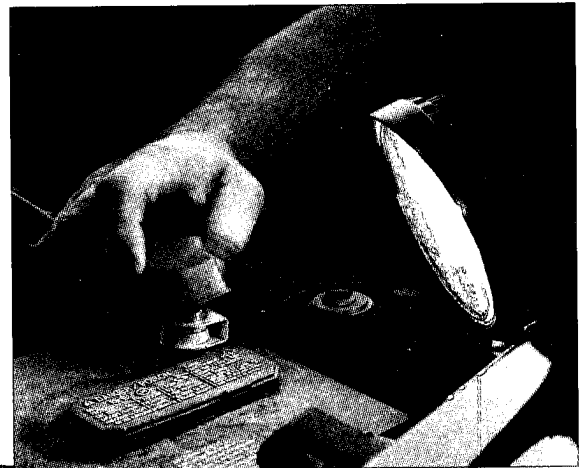
For more information visit www.buyersproducts.com



112316

LIT1492190_A

NEW PRODUCT



Heavy-Duty Magnetic Utility LED Flood Light

- 6 LED, 1,140 lumens (9W) output
- 12-24 VDC, 0.75 Amps at 12 VDC
- 4-1/4" Clear Polycarbonate Lens
- Built-in visor and 60 degree viewing angle
- Black powder coated aluminum housing
- Magnetic base with stainless steel hinge and hardware
- 30' power cord with cigarette plug adapter and built-in power switch
- IP67, IP69K Certified
- Retail packaged

Available February 2017!

PART NO.	DESCRIPTION	LIST	NET EA.	NET EA.	NET EA.	NET EA.	PROD. CAT.	WT.
			1-9	10-49	50-99	100+		
1492130	4-1/4" Clear, 6 LED Magnetic Utility Flood Light	71.00	35.50	33.73	32.20	28.98	562	2.5 lbs.

Pricing is consistent with current market conditions and is subject to change without notice.

9049 Tyler Blvd. • Mentor, Ohio 44060
 Phone (440) 974-8888 • Fax (800) 841-8003
 Email: orders@buyersproducts.com

For more information visit www.buyersproducts.com



120616

LIT1492130_B